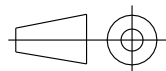
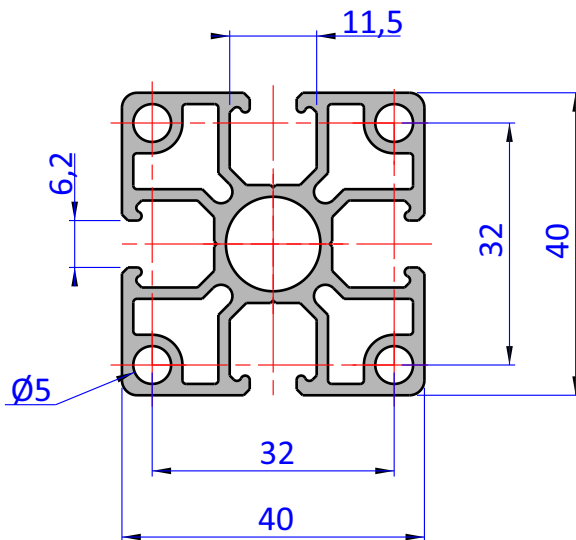
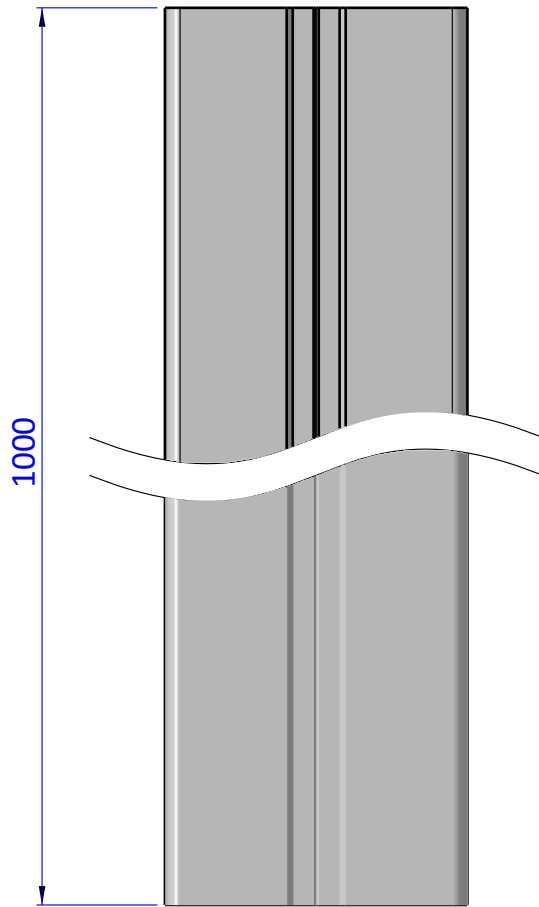


THE PROPERTY OF THE DRAWING IS ESTABLISHED BY LAW. IT IS FORBIDDEN TO PRODUCE OR SHOW IT TO THIRD PART. WITHOUT A WRITTEN AGREEMENT.

Item	Name	Q.ty
1	CA.JU.4040.1000	1



DESIGNED FROM FPS Automation		REVIEW A
DATE 11/03/2020	WEIGHT 1,407kg	
CODE CA.JU.4040.1000		

Format A4

UNI 936-76

GENERAL TOLERANCE

UNI - ISO 2768

CLASSE f

DESCRIPTION

CA.JU.4040.1000